

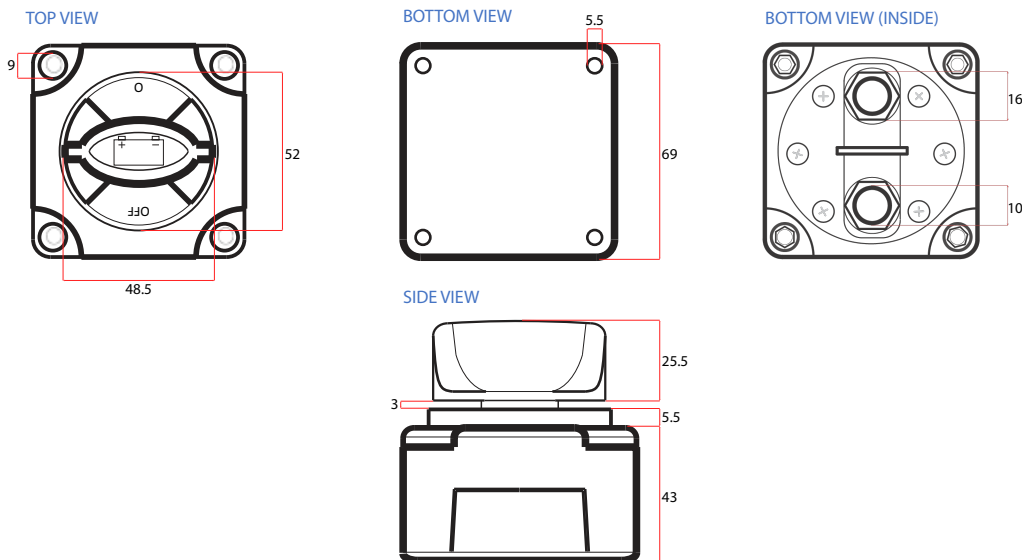
Battery Isolator Switch 300A

• Specification:

- Knob positions: 2 (on/off)
- Removable control knob
- Rated 300W continuous (1h) and 1000A peak load for 5 seconds

• Voltage:

12-48V



All dimensions in mm, +/- 5% tolerance

Item No.	Type	Width (mm)	Heigh (mm)	Depth (mm)	Screw type
SH47	Battery Isolator Switch 300A	69.0	69.0	77.0	M10